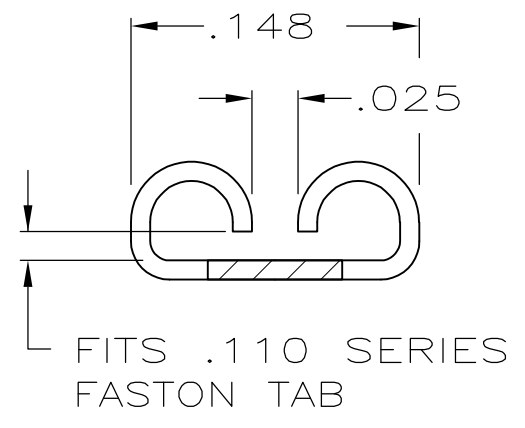
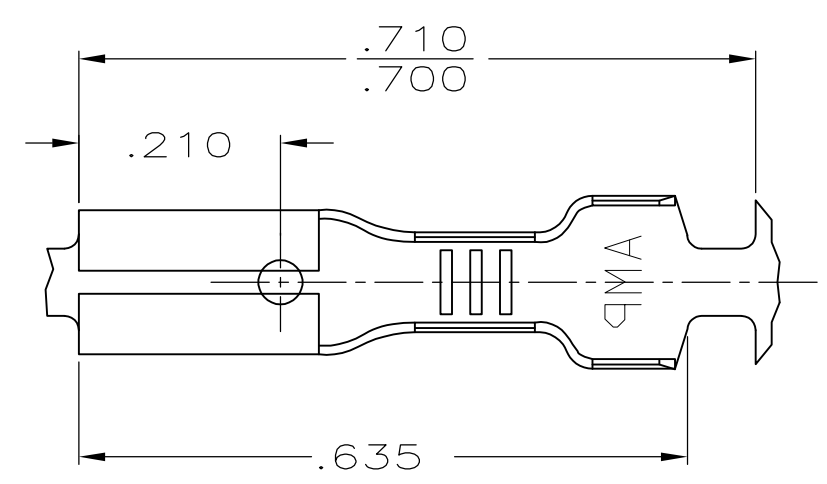


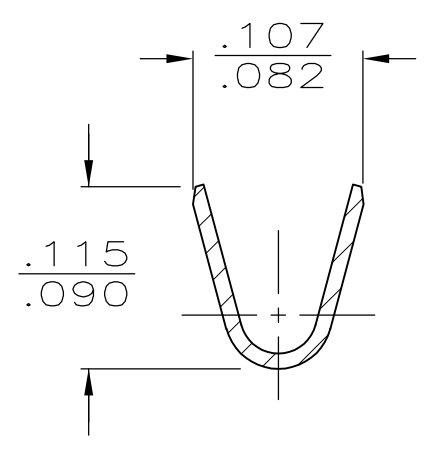
THIS DRAWING IS UNPUBLISHED. RELEASED FOR PUBLICATION
 © COPYRIGHT - By - ALL RIGHTS RESERVED.

LOC	DIST	REVISIONS					
AF	50	P	LTR	DESCRIPTION	DATE	DWN	APVD
		AN1		REVISED PER ECR-14-004075	24MAR2014	NK	RL

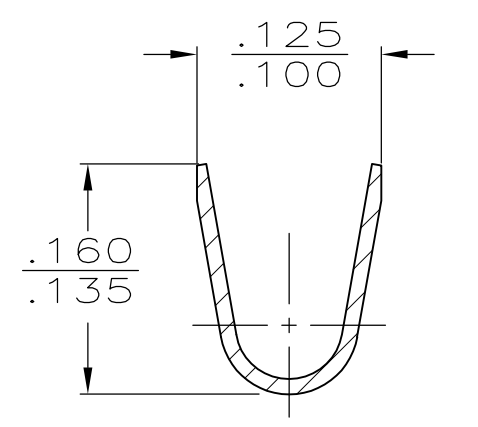


VIEW A-A

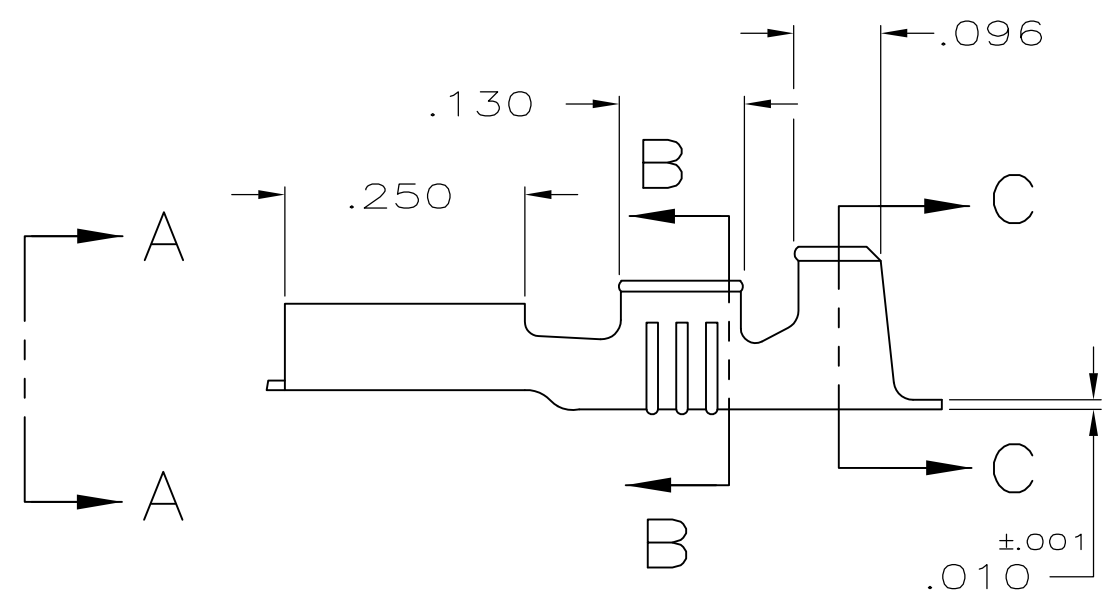
- 1 CONTINUOUS STRIP ON REELS.
- 2 FINISH LEAD-FREE, MATTE TIN OVER NICKEL



SECTION B-B



SECTION C-C



OBSOLETE	SILVER	#4H BRASS	.060-.100	22-18	.020	-42068-6
OBSOLETE	GOLD	#4H BRASS	.060-.100	22-18	.020	-42068-5
OBSOLETE	TIN	#4H PHOS BRZ	.060-.100	22-18	.020	-42068-4
OBSOLETE	-	#4H PHOS BRZ	.060-.100	22-18	.020	-42068-3
	2	BRASS	.060-.100	22-18	.020	42068-2
	PRE-TIN	BRASS	.060-.100	22-18	.020	42068-1
	-	BRASS	.060-.100	22-18	.020	42068-0
	FINISH	MATERIAL	INSUL RANGE	WIRE SIZE	TAB ^{±.001} THK	PART NO

THIS DRAWING IS A CONTROLLED DOCUMENT.		DWN	6/23/87		STE TE Connectivity											
DIMENSIONS: INCHES		CHK	-			RECEPTACLE, FASTON TM .110 SERIES										
TOLERANCES UNLESS OTHERWISE SPECIFIED:		APVD	-													
<table border="0"> <tr><td>0 PLC</td><td>± -</td></tr> <tr><td>1 PLC</td><td>± -</td></tr> <tr><td>2 PLC</td><td>± -</td></tr> <tr><td>3 PLC</td><td>± .015</td></tr> <tr><td>4 PLC</td><td>± -</td></tr> <tr><td>ANGLES</td><td>± -</td></tr> </table>		0 PLC	± -	1 PLC		± -	2 PLC	± -	3 PLC	± .015	4 PLC	± -	ANGLES	± -	PRODUCT SPEC	-
0 PLC	± -															
1 PLC	± -															
2 PLC	± -															
3 PLC	± .015															
4 PLC	± -															
ANGLES	± -															
MATERIAL	SEE TABLE	FINISH	SEE TABLE	WEIGHT	-											
		SIZE	A3	CAGE CODE	00779											
		DRAWING NO	C-42068		RESTRICTED TO											
		CUSTOMER DRAWING		SCALE	NTS											
		SHEET	1 OF 1		REV AN1											